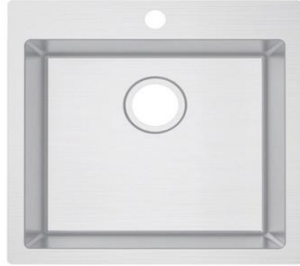


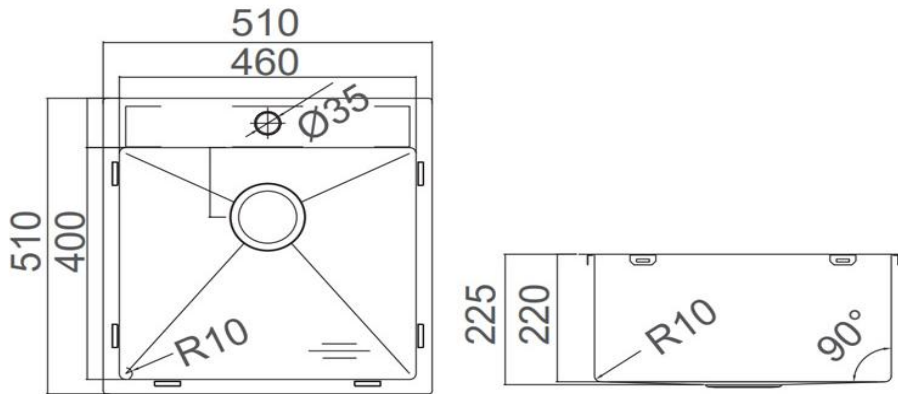
SS 5151

IMPACT 39LT Top Mount Sink

SPECIFICATIONS



- Capacity 39LT
- Large built in tap platform
- 200mm Deep Bowl
- 304 Stainless Steel
- 15mm Radius Corners



CLEANING & MAINTENANCE:

All Sinks should be cleaned with mild detergent and water
All Products must be cleaned with a soft cloth with soapy water, avoid waxes, solvents, abrasives, acids and other chemical based cleaners
Warranty will be void if damages are caused by unsuitable cleaning products

WARRANTY INFORMATION:

25 Year Parts or Products Replacement Warranty
1 Year Replacement Warranty on Accessories and Waste fittings
All products (Excluding Waste Plugs) have a full 1 year in house labour warranty from date of purchase

ZENIMO
Zen-inspired, Modern Living

ADDRESS: 42 Castro Way, Derrimut VIC 3026

PHONE: (03) 8390 6300

OFFICE: ect_sales@outlook.com

SERVICE: ect_service@outlook.com

WEBSITE: www.zenmo.com.au